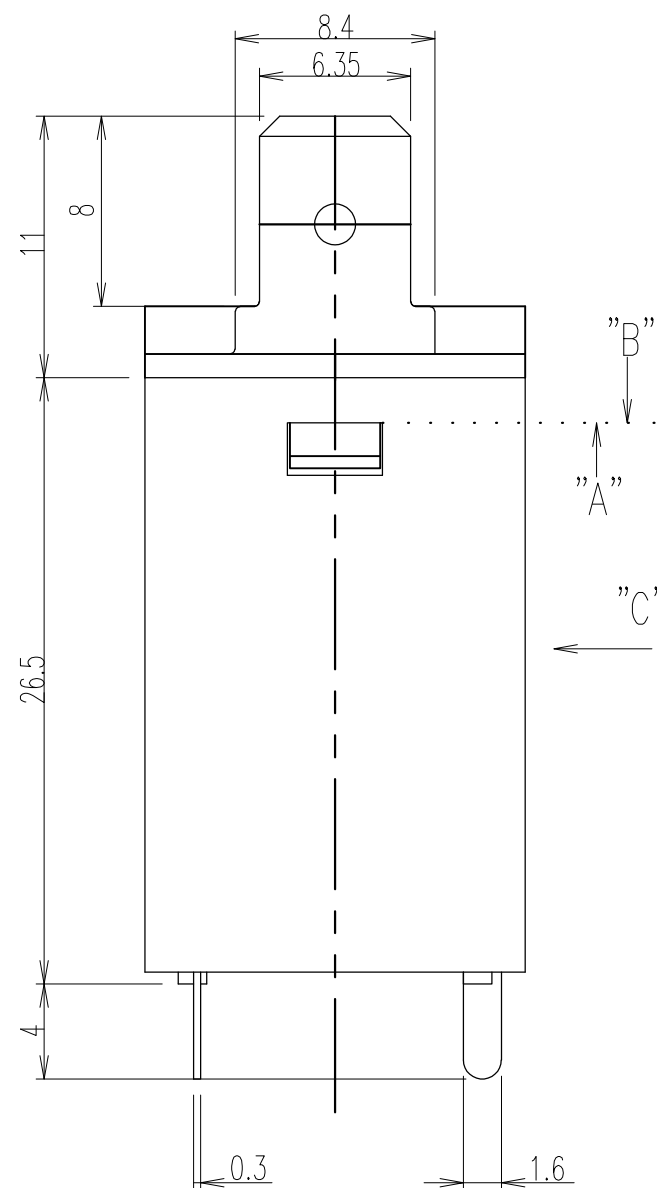
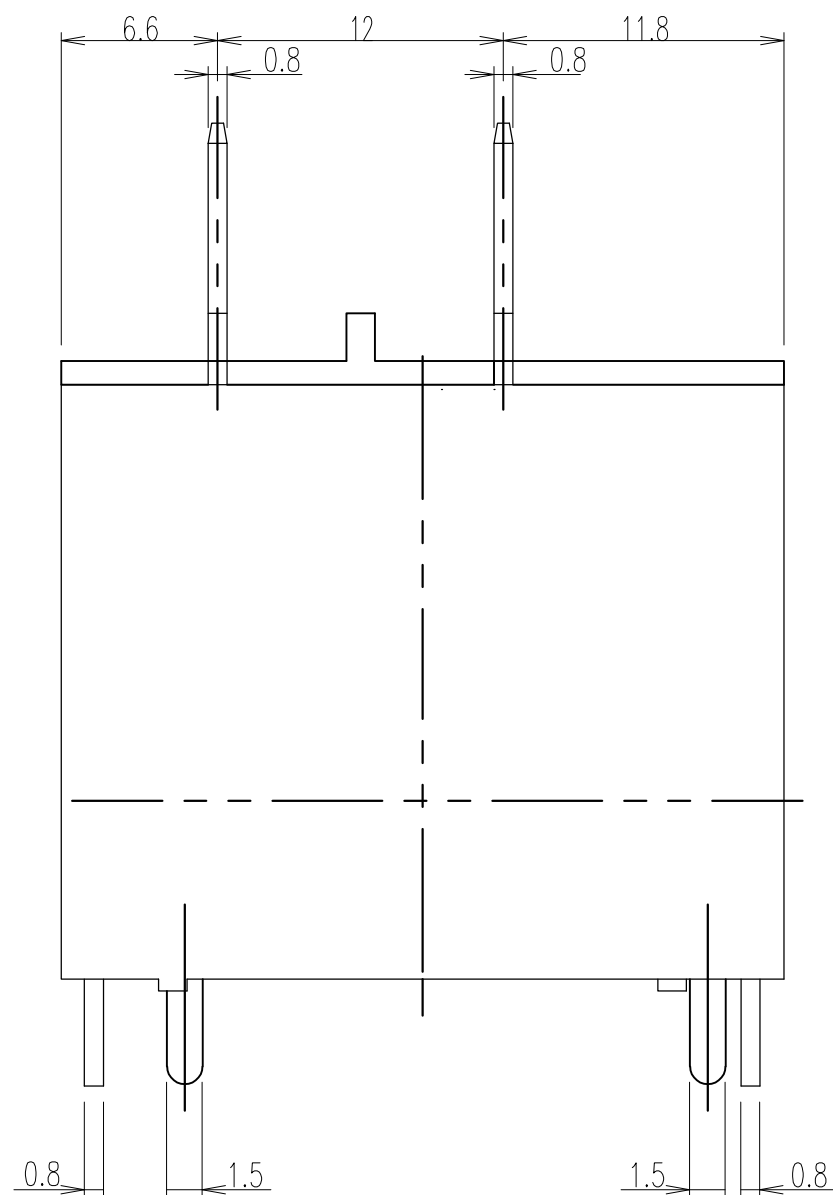


P	LTR	DESCRIPTION	DATE	DWN	APVD
	B1	REVISED PER ECO-11-005140	29MAR11	RK	HMR



ⓑ NOTE:  
 LOT NO. SYSTEM AS FOLLOWING:  
  
 WEEK  
 YEAR

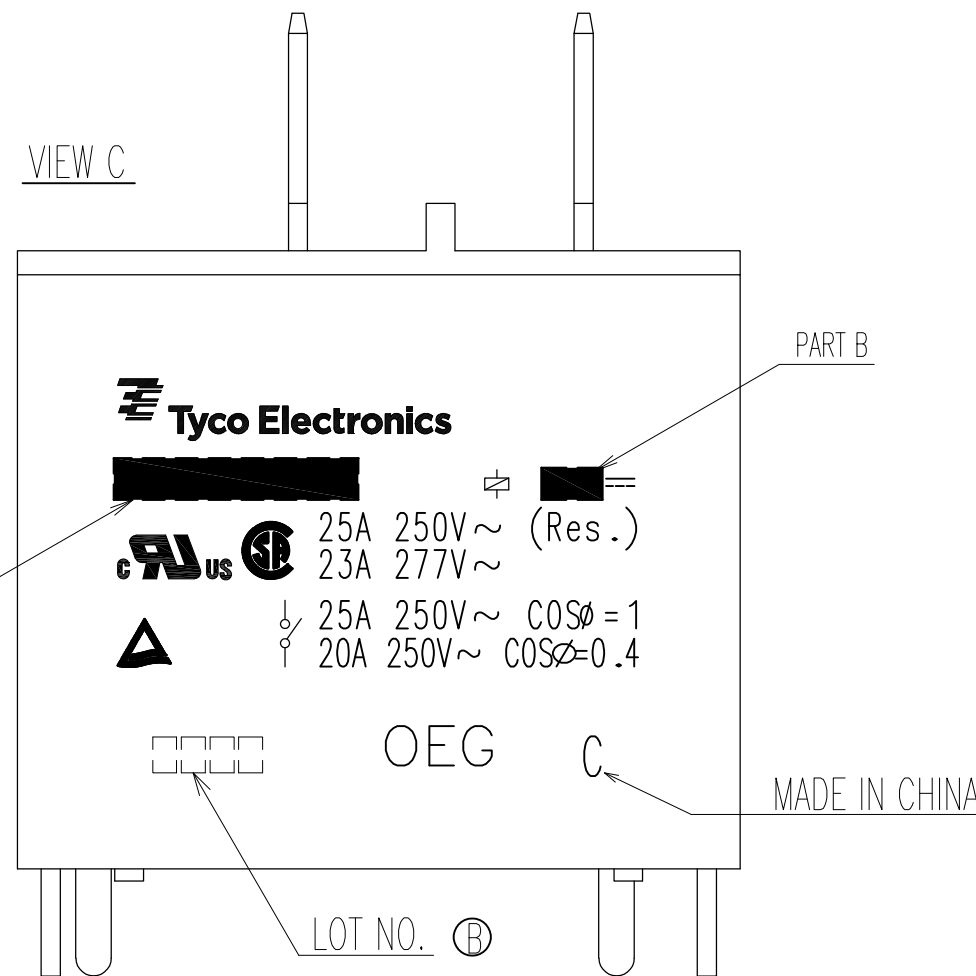


Diagram dimension	Tolerance
0.99mm max.	±0.1mm
1 - 2.99mm	±0.2mm
3mm min.	±0.3mm

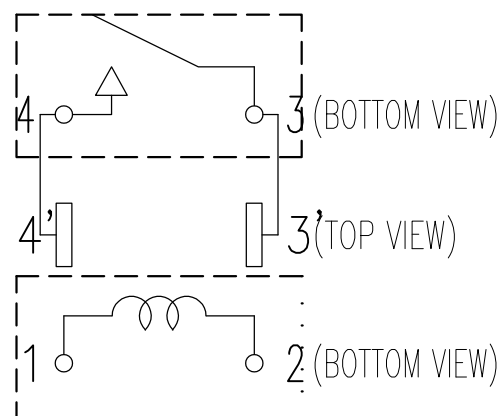
DIMENSIONS: mm	TOLERANCES UNLESS OTHERWISE SPECIFIED:
	0 PLC ±
	1 PLC ±
	2 PLC ±
	3 PLC ±
	4 PLC ±
	ANGLES ±
MATERIAL SEE MATERIAL TABLE	FINISH -

DWN	H.SASAKI
CHK	N.FUNAYAMA
APVD	A.NAGAI
PRODUCT SPEC	-
APPLICATION SPEC	-
WEIGHT	-
CUSTOMER DRAWING	

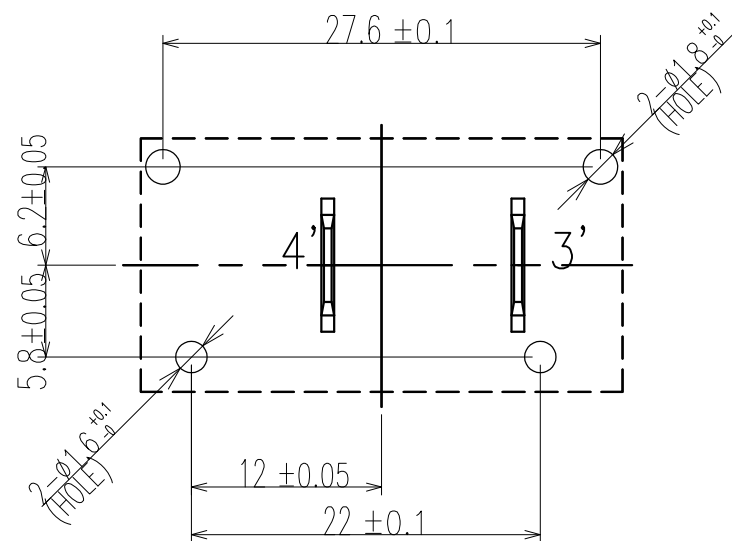
<b>TE</b> TE Connectivity			
NAME PCF-D1M CUSTOMER DRAWING			
SIZE A3	CAGE CODE 00779	DRAWING NO. C- 2-1419146-1	RESTRICTED TO -
SCALE 3:1		SHEET 1 OF 2	REV B1

P	LTR	DESCRIPTION	ECN	DATE	DWN	APVD

CONNECTION DIAGRAM




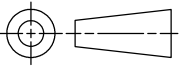
DRILLING DIAGRAM (BOTTOM VIEW)



2-1419146-4	PCF-148D1M,000	48V	PCF-148D1M	f
9-1419129-5	PCF-124D1M,000	24V	PCF-124D1M	e
9-1419129-2	PCF-112D1M,000	12V	PCF-112D1M	d
2-1419146-3	PCF-109D1M,000	9V	PCF-109D1M	c
2-1419146-2	PCF-106D1M,000	6V	PCF-106D1M	b
2-1419146-1	PCF-105D1M,000	5V	PCF-105D1M	a
PART NO	DESCRIPTION	PART B	PART A	ITEM

RELAY TYPE

		EPOXY RESIN	SEAL	18	
		POLYURETHANE Cu WIRE	MAGNETIC WIRE	17	
UL 94V-0		PPS	CARD	16	
UL 94V-0		PBT	CASE	15	
UL 94V-0		PBT	BASE	14	
UL 94V-0		PBT	BOBBIN	13	
	SOLDER DIP	Cu ALLOY	COIL TERMINAL R	12	
	SOLDER DIP	Cu ALLOY	COIL TERMINAL L	11	
		STAINLESS	HINGE SPRING	10	
		Ag ALLOY	STATIONARY CONTACT	9	
		Ag ALLOY	MOVABLE CONTACT	8	
		Cu ALLOY	STATIONARY SPRING	7	
		Cu ALLOY	MOVABLE SPRING	6	
	SOLDER DIP	Cu ALLOY	STATIONARY TERMINAL	5	
	SOLDER DIP	Cu ALLOY	MOVABLE TERMINAL	4	
		Ni PLATED	STEEL	CORE	3
		Ni PLATED	STEEL	ARMATURE	2
		Ni PLATED	STEEL	YOKE	1
	INCOMBUSTIBILITY	TREATMENT	MATERIAL	DESCRIPTION	ITEM

DWN		 <b>TE Connectivity</b>	
CHK			
APVD			
PRODUCT SPEC			
DIMENSIONS: mm		NAME	
		PCF-D1M CUSTOMER DRAWING	
TOLERANCES UNLESS OTHERWISE SPECIFIED:		SIZE	
0 PLC ± 1 PLC ± 2 PLC ± 3 PLC ± 4 PLC ± ANGLES ±		A3	
MATERIAL		CAGE CODE	
SEE MATERIAL TABLE		00779	
FINISH		DRAWING NO	
-		C- 2-1419146-1	
		RESTRICTED TO	
		-	
CUSTOMER DRAWING		SCALE 3:1 SHEET 2 OF 2 REV B1	